

Brand: K-TOP

Product: Wafer Type Butterfly Valve

Model: Fig.800

## Application

K-TOP Wafer type Butterfly Valve have simple structure and easy to install and operate. Butterfly Valve can be quickly opened or closed with 90° rotation which is convenient for efficient flow control. Compact design require less space and suitable for limited space application. High reliability and long durability meet the plumbing, HVAC, commercial and industrial application.

## Technical Specification

Nominal Size:	DN50 – DN600
Max. Working Pressure:	PN16
Working Temperature:	max 85°C (WRAS)
Coating:	Fusion Bonded Epoxy (min. 250µm)
Design Standard:	BS EN 593
Flange Connection:	BS EN 1092-2
Face to Face:	BS EN 558-1 series 20
Top Flange:	ISO 5211
Body Test Pressure:	24 bar
Seat Test Pressure:	17.6 bar Rate A
Operation:	Lever (DN 50 – 200) Gear Box (DN 50 – 600)



Lever operate  
DN 50 - 200



Gear Box operate  
DN 50 - 600

## Material

#	Description	Material
1	Body	Ductile Iron - EN 1563: 2018 (EN-GJS-450-10) with Epoxy coated
2	Shaft	BS EN 10088-1:2014 - 1.4057 (SS431)
3	Liner	EPDM
4	Disc	Ductile Iron - EN 1563: 2018 (EN-GJS-450-10) with Epoxy coated

## Body Marking

DN (Size) K-TOP PN16 DI

## Name plate Marking

<p><b>K-TOP</b></p> <p><b>Fig.800</b></p> <p>BODY: DI DISC: DI SEAT: EPDM PN 16 Max 16 bar</p> <p>Year of Manufacture: (Year)</p>
---

**KEMBLA (HK) LIMITED**  
金特霸(香港)有限公司  
Member of Metal Manufactures Group

香港 灣仔 謝菲道90號 豫港大廈5樓  
5/F Henan Building, 90 Jaffe Road, Wanchai, Hong Kong  
Tel: +852 2528 0999 Fax: +852 2528 3113 Email: info@kembla.com.hk Website: www.kembla.com.hk

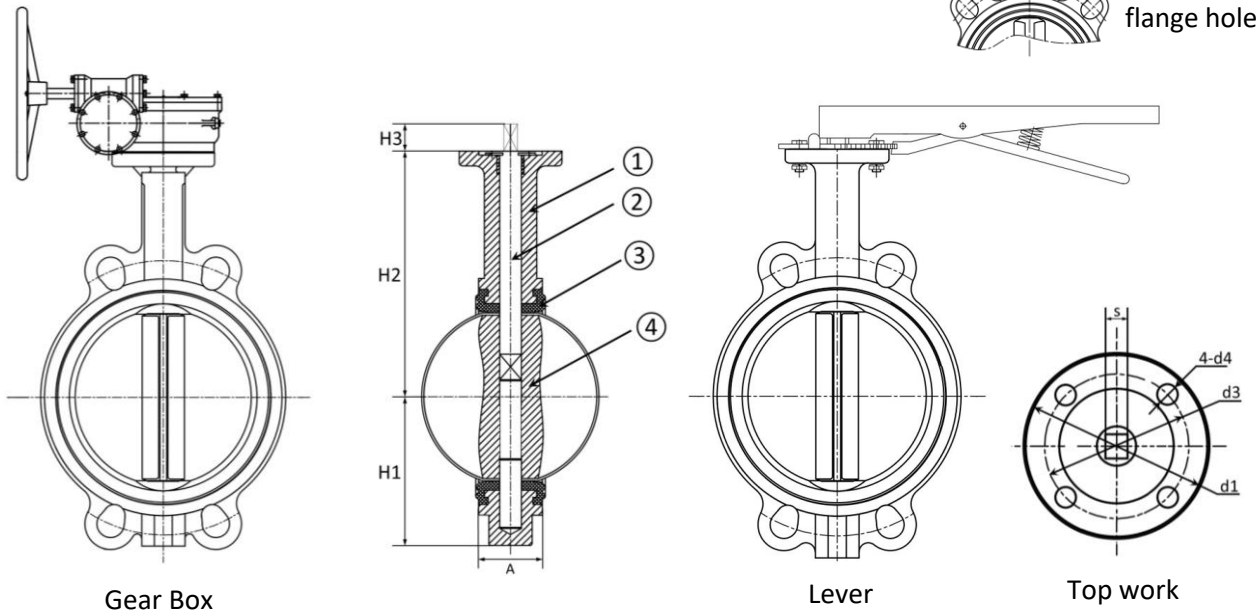
# Wafer Type Butterfly Valve

**K-TOP**

Brand: K-TOP

Product: Wafer Type Butterfly Valve

Model: Fig.800



## Dimensions (DN50 – 600)

Size	H1	H2	H3	A	ISO	s	d1	d3	d4
DN 50	64	132	24	43	F05	9	65	50	Ø8
DN 65	88	145	24	46	F05	9	65	50	Ø8
DN 80	96	150	24	46	F05	9	65	50	Ø8
DN 100	110	173	30	52	F07	11	90	70	Ø10
DN 150	147	202	30	56	F07	14	90	70	Ø10
DN 200	177	227	37	60	F10	17	125	102	Ø12
DN 250	215	258	37	68	F10	22	125	102	Ø12
DN 300	244	305	37	78	F12	27	150	125	Ø14
DN 350	283	363	40	78	F12	27	150	125	Ø14
DN 400	313	413	50	102	F14	27	175	140	Ø18
DN 450	334	435	50	114	F14	27	175	140	Ø18
DN 500	368	495	60	127	F14	36	175	140	Ø18
DN 600	446	580	60	154	F16	36	210	165	Ø22

Unit: mm

**K** **KEMBLA (HK) LIMITED**  
 金特霸(香港)有限公司  
 Member of Metal Manufactures Group

香港 灣仔 謝菲道90號 豫港大廈5樓

5/F Henan Building, 90 Jaffe Road, Wanchai, Hong Kong

Tel: +852 2528 0999 Fax: +852 2528 3113 Email: info@kembla.com.hk Website: www.kembla.com.hk